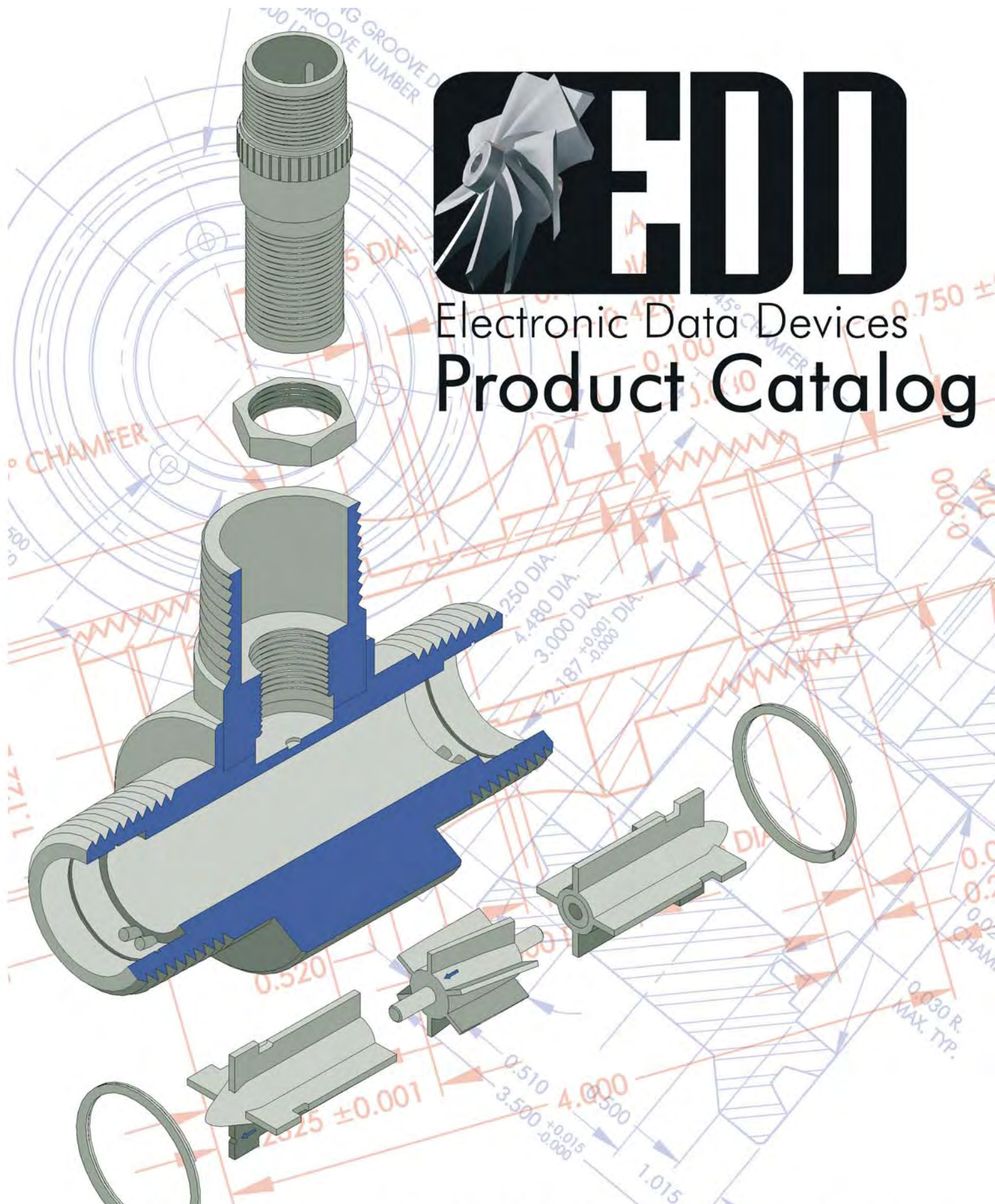




Electronic Data Devices  
**Product Catalog**



Manufacturing EDD Turbine Flow Meters Since 1980

The information in this document is reviewed regularly and any necessary changes will be incorporated in the next revision.  
We welcome any suggestions for improvement.

This manual is for the exclusive use of Electronic Data Devices customers and distributors. The reproduction, transmission or use of this document or its contents is not permitted without the expressed written permission of Electronic Data Devices.

© Copyright 2004 Electronic Data Devices

January 2004



Electronic Data Devices

Phone  
432-366-8699

Fax  
432-366-1106

P.O. Box 12128  
Odessa, Texas 79768  
USA

E-mail  
rkw@eddevices.com

Website  
www.eddevices.com

## Electronic Data Devices Contacts

Bob Williams  
President

Office 432-366-8699  
Fax 432-366-1106

Hal Hulett  
Manager

Office 432-366-8699  
Fax 432-366-1106

Mike Jolly  
Service Manager

Office 432-366-8699  
Fax 432-366-1106



Electronic Data Devices

Phone  
432-366-8699

Fax  
432-366-1106

P.O. Box 12128  
Odessa, Texas 79768  
USA

E-mail  
[rkw@eddevices.com](mailto:rkw@eddevices.com)

Website  
[www.eddevices.com](http://www.eddevices.com)

Turbine Flow Meters  
Flow Range

Size								Max Output	
Inch	MM	GPM	BPM	BPD	LPM	M <sup>3</sup> /D	Pulses P/Gal	Frequency Pulses P/ Sec	
3/8	10	.3 - 3	.007 - .07	10 - 100	1.14 - 11.36	1.6 - 16	22000	1100	
1/2	13	.75 - 7.5	.01 - .17	25 - 250	2.84 - 28.39	4 - 40	14500	1815	
3/4	19	2 - 15	.05 - .33	68 - 515	7.57 - 56.78	11 - 80	2950	740	
7/8	22	3 - 30	.07 - .71	100 - 1000	11.36 - 113.56	16 - 160	2350	1175	
1	25	5 - 50	.11 - 1.19	170 - 1700	18.93 - 189.27	27 - 270	900	750	
1 1/2	38	15 - 180	.35 - 4.3	515 - 6000	56.78 - 681.35	80 - 1100	325	975	
2	51	40 - 400	.9 - 9.3	1300 - 13000	151 - 1514	210 - 2100	55	365	
3	76	60 - 600	1.4 - 14.3	2100 - 21000	227 - 2271	320 - 3200	57	570	
4	102	100 - 1200	2.4 - 28.5	3400 - 41000	380 - 4542	545 - 6541	30	600	
6	152	200 - 2500	4.7 - 60	6800 - 86000	757 - 9464	1090 - 13628	7	290	
8	203	350 - 3500	8.3 - 83	12000 - 120000	1325 - 13250	1907 - 19078	3	175	
10	550	550 - 5500	13 - 130	19000 - 180000	1892 - 18926	2725 - 27255	1.6	147	

Material Specifications	
Flow Meter Body	316 S.S. or A-286 Alloy
Support Vanes	316 S.S.
Rotor	CD4MCu
Sleeve Bearings	Tungsten Carbide
Shaft	Tungsten Carbide
Thrust Ball	Ceramic
Performance Specifications	
Repeatability	Within $\pm 0.1\%$ of indicated flow throughout the linear flow range
Accuracy	Within $\pm 1\%$ of reading Note 3/8" $\pm 2\%$



# Electronic Data Devices

Turbine Flow Meters

P.O. Box 12128  
Odessa, Texas 79768  
USA

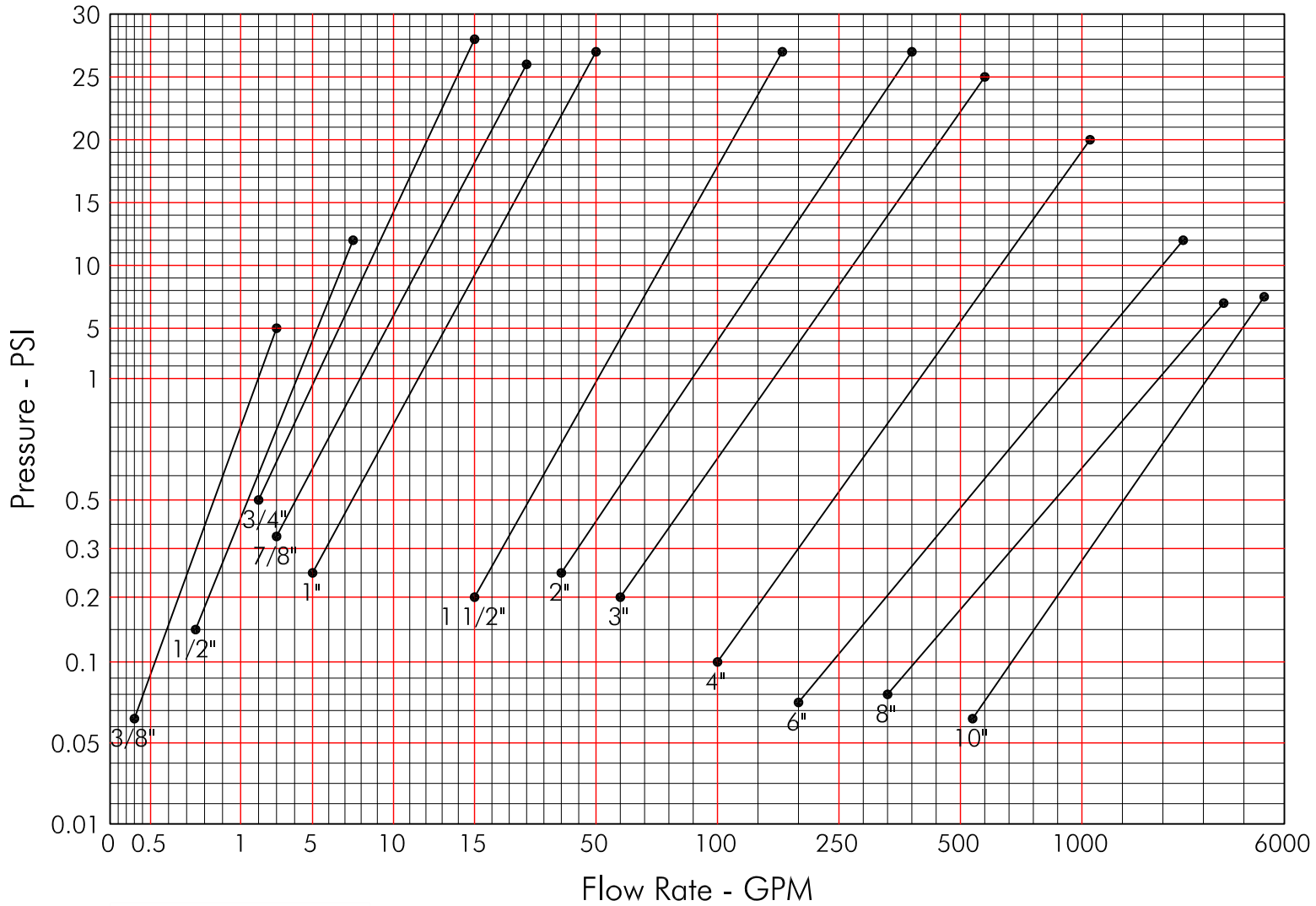
Phone  
432-366-8699

Fax  
432-366-1106

Email  
rkw@eddevices.com

Website  
www.eddevices.com

# Pressure Drop Curves



Electronic Data Devices

# Electronic Data Devices

Turbine Flow Meters

Phone  
432-366-8699

Fax  
432-366-1106

P.O. Box 12128  
Odessa, Texas 79768  
USA

E-mail  
rkw@eddevices.com

Website  
www.eddevices.com



# Electronic Data Devices

## Turbine Flow Meters



## Threaded Turbine Flow Meters

Electronic Data Devices manufactures a complete line of turbine flow meters that are available with ranges from 0.3 GPM to 5500 GPM covering a wide range of measurement applications. Our turbine flow meters are manufactured to the highest quality standards and are available with a wide range of end connections compatible with many applications. Some of the typical applications include: oilfield waterflood, production, well servicing, pipelines, mining, chemicals, food and beverage industry, and most other liquid applications.

Threaded meters are available in the sizes below.

All threaded meters have a working pressure of 5000 psi except 3" and 4", which are 3000 psi.

.37" X 1"-MNPT	.75" X 2" MNPT	1" X 1"-MNPT	1.5" X 2" MNPT	3" X 3" FMNPT
.50" X 1" MNPT	.87" X 1" MNPT	1" X 2" MNPT	2" X 2" FMNPT	4" X 4" FMNPT
.75" X 1" MNPT	.87" X 2" MNPT	1.5" X 1.5" MNPT		

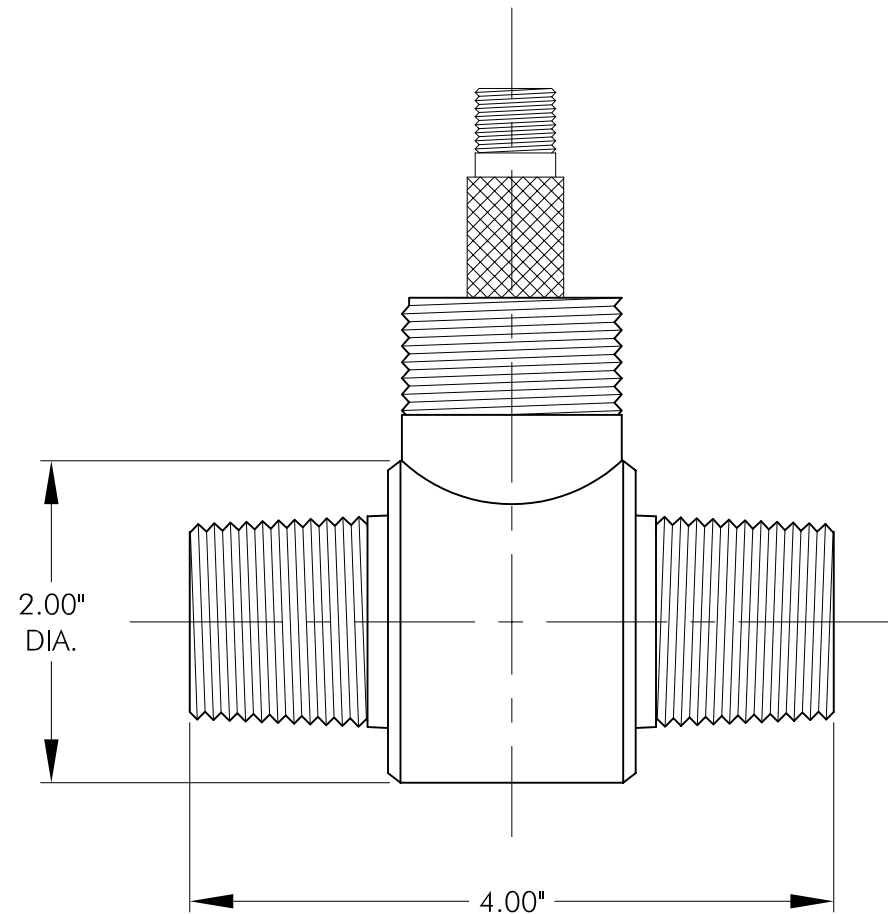
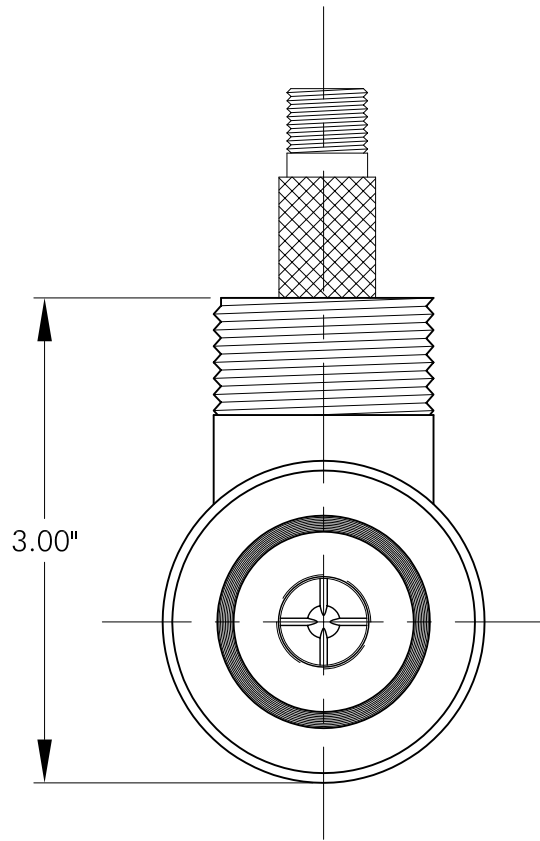
P.O. Box 12128  
Odessa, Texas 79768  
USA

• Phone  
432-366-8699

• Fax  
432-366-1106

• Email  
rkw@eddevices.com

• Website  
www.eddevices.com



NOTE: DRAWING NOT TO SCALE

SPECIFICATIONS:  
 FLOW RATE: 0.3-3 GPM  
 PRESSURE RATING: 5000 PSI

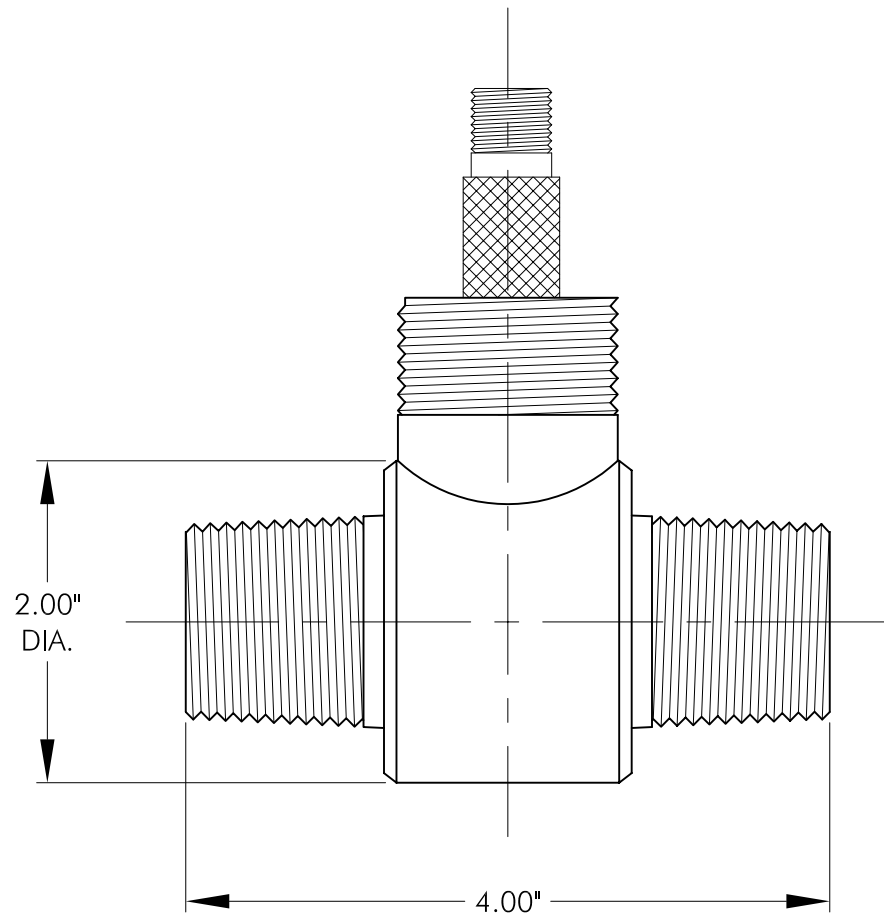
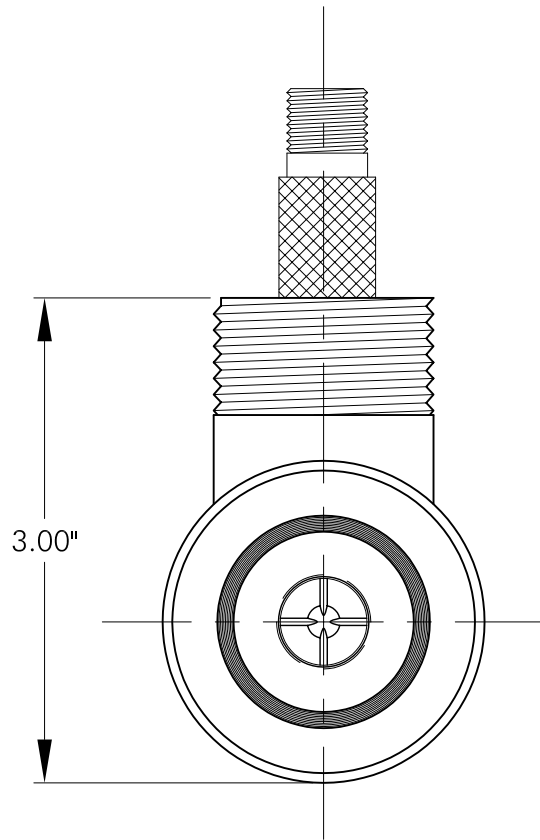
NOTE:  
 3/8" TURBINE REPAIR KIT PART NUMBER: 5.037

FLOW METER INSTALLATION DRAWING

3/8" x 1" TURBINE FLOW METER WITH 1" N.P.T. MALE ENDS, PART NO. 5.0370R

P.O. Box 12128  
 Odessa, TX 79768  
 Phone: 432-366-8699 Fax: 432-366-1106  
 E-mail: [rkw@eddevices.com](mailto:rkw@eddevices.com) Website: [www.eddevices.com](http://www.eddevices.com)





NOTE: DRAWING NOT TO SCALE

**SPECIFICATIONS:**

FLOW RATE: 0.75-7.5 GPM

PRESSURE RATING: 5000 PSI

**NOTE:**

1/2" TURBINE REPAIR KIT PART NUMBER: 5.050

**FLOW METER INSTALLATION DRAWING**

1/2" x 1" TURBINE FLOW METER WITH 1" N.P.T. MALE ENDS, PART NO. 5.0500R

P.O. Box 12128

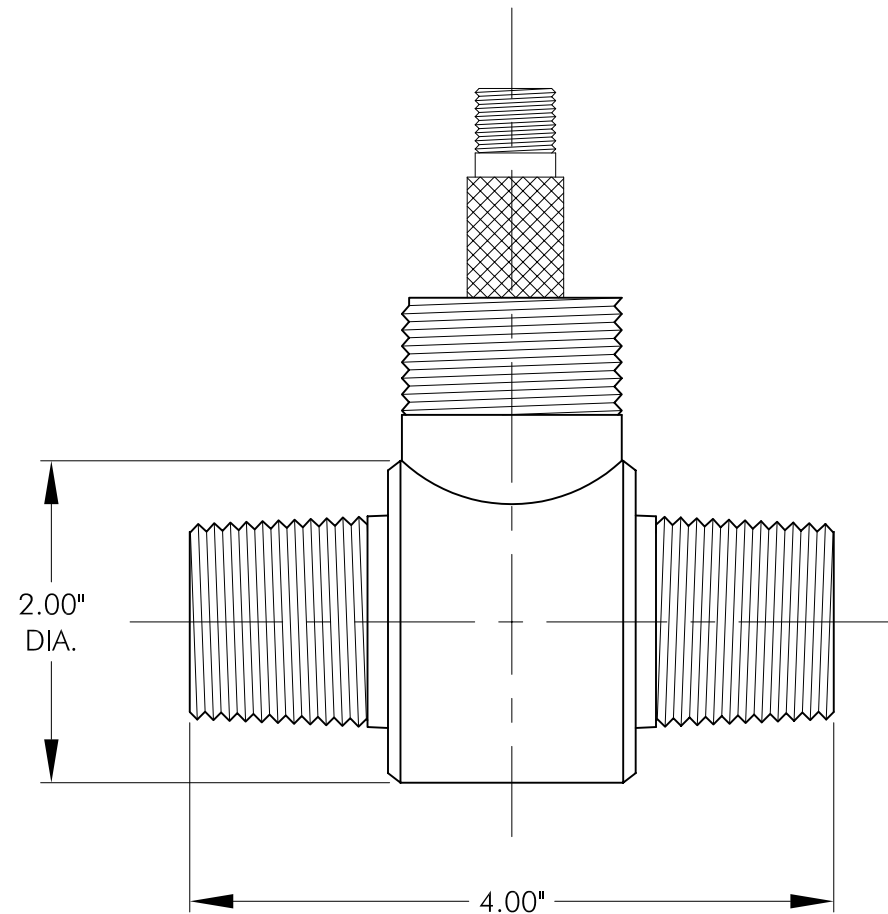
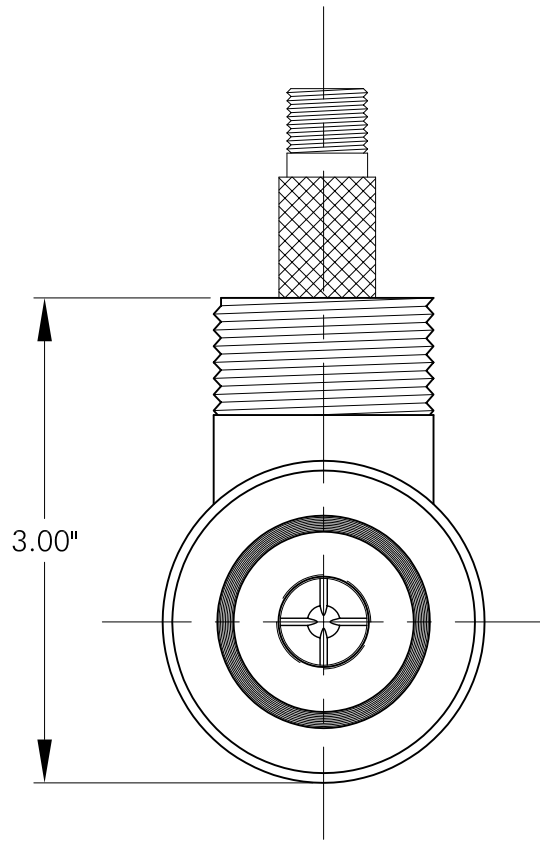
Odessa, TX 79768

Phone: 432-366-8699 Fax: 432-366-1106

E-mail: [rkw@eddevices.com](mailto:rkw@eddevices.com) Website: [www.eddevices.com](http://www.eddevices.com)







NOTE: DRAWING NOT TO SCALE

**SPECIFICATIONS:**

FLOW RATE: 2-15 GPM

PRESSURE RATING: 5000 PSI

**NOTE:**

3/4" TURBINE REPAIR KIT PART NUMBER: 5.075

**FLOW METER INSTALLATION DRAWING**

3/4" x 1" TURBINE FLOW METER WITH 1" N.P.T. MALE ENDS, PART NO. 5.0750R

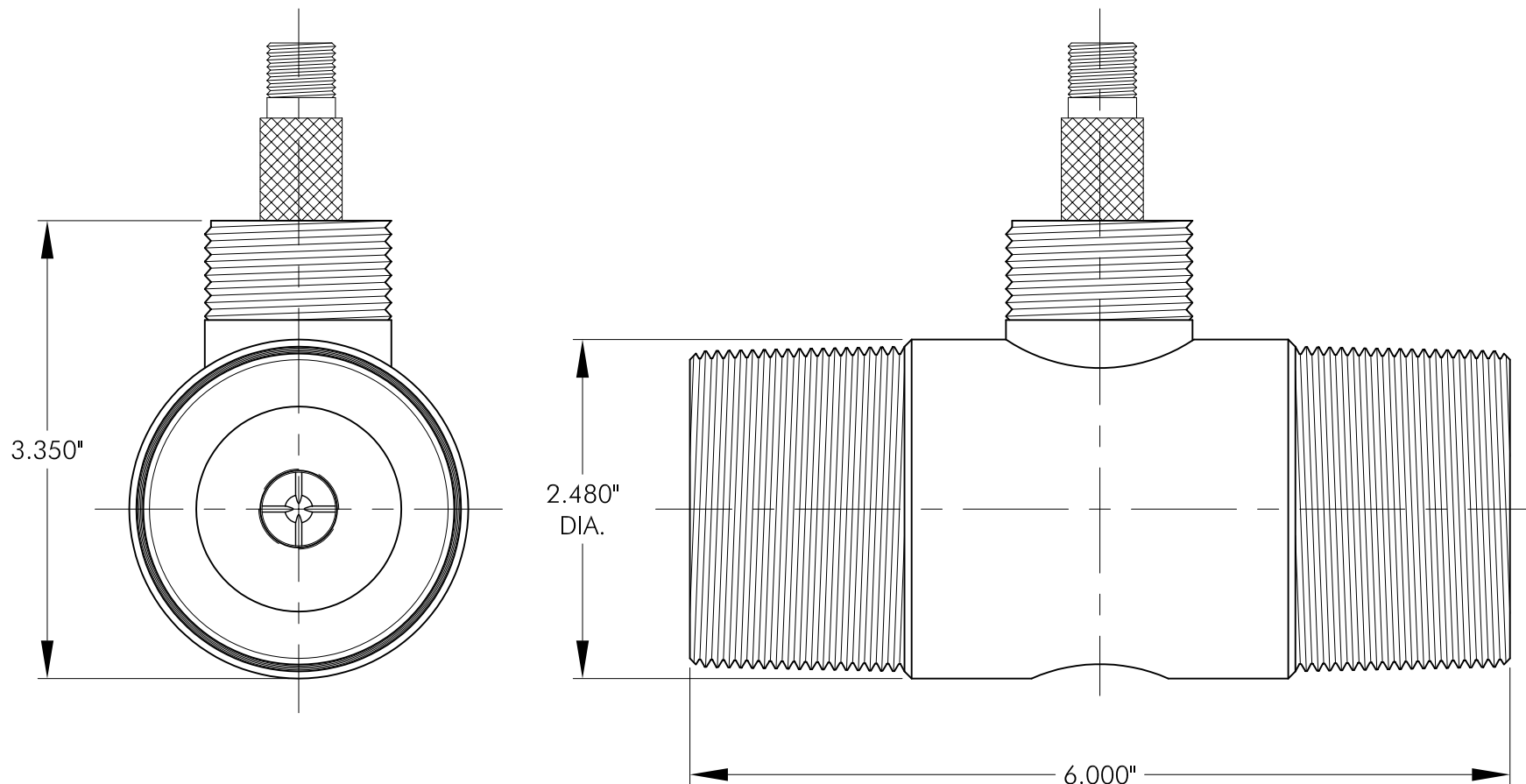
P.O. Box 12128

Odessa, TX 79768

Phone: 432-366-8699 Fax: 432-366-1106

E-mail: [rkw@eddevices.com](mailto:rkw@eddevices.com) Website: [www.eddevices.com](http://www.eddevices.com)





NOTE: DRAWING NOT TO SCALE

**SPECIFICATIONS:**

FLOW RATE: 2-15 GPM

PRESSURE RATING: 5000 PSI

**NOTE:**

3/4" TURBINE REPAIR KIT PART NUMBER: 5.075

**FLOW METER INSTALLATION DRAWING**

3/4" x 2" THREADED FLOW METER WITH 2" N.P.T. MALE ENDS, PART NO. 5.07502

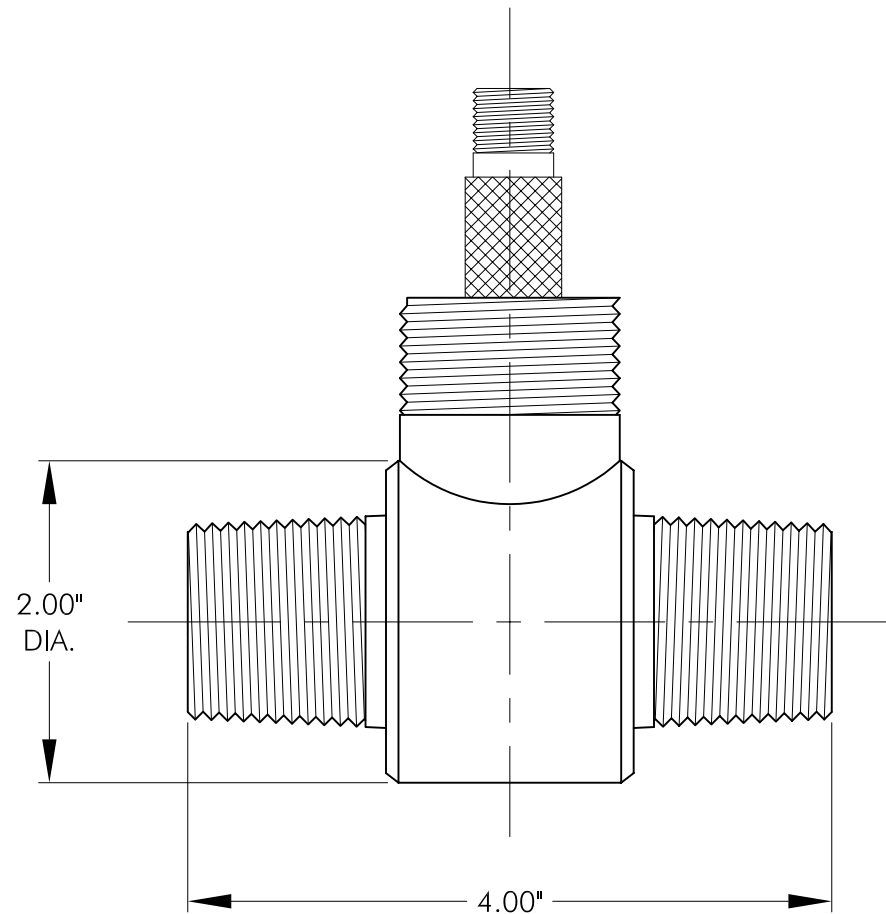
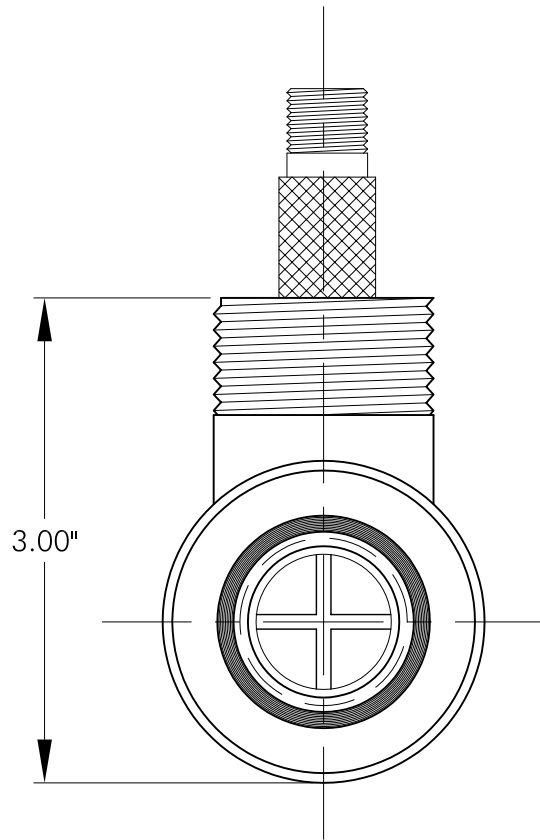
P.O. Box 12128

Odessa, TX 79768

Phone: 432-366-8699 Fax: 432-366-1106

E-mail: [rkw@eddevices.com](mailto:rkw@eddevices.com) Website: [www.eddevices.com](http://www.eddevices.com)





NOTE: DRAWING NOT TO SCALE

**SPECIFICATIONS:**

FLOW RATE: 3-30 GPM

PRESSURE RATING: 5000 PSI

**NOTE:**

7/8" TURBINE REPAIR KIT PART NUMBER: 5.087

**FLOW METER INSTALLATION DRAWING**

7/8" x 1" TURBINE FLOW METER WITH 1" N.P.T. MALE ENDS, PART NO. 5.0875R

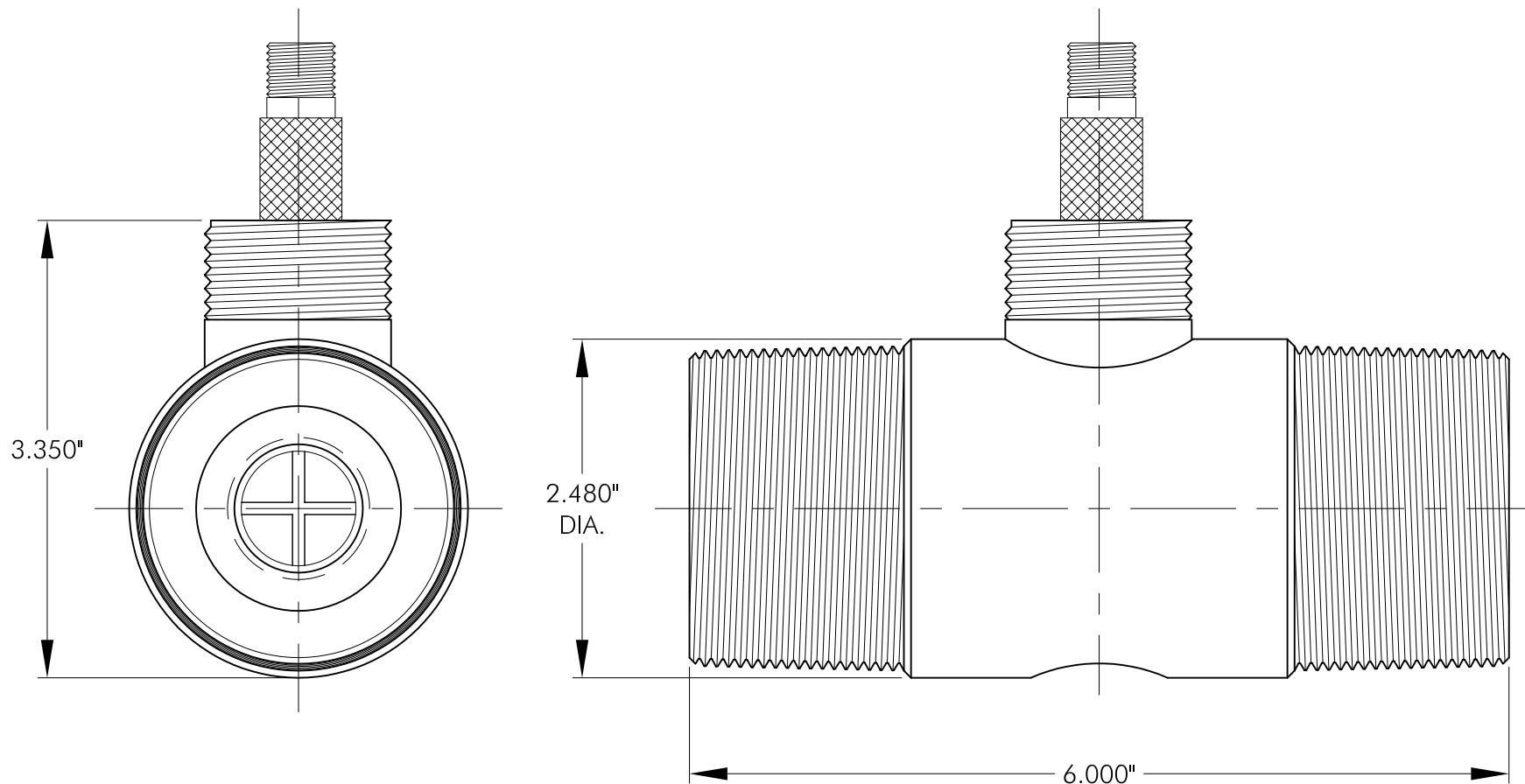
P.O. Box 12128

Odessa, TX 79768

Phone: 432-366-8699 Fax: 432-366-1106

E-mail: [rkw@eddevices.com](mailto:rkw@eddevices.com) Website: [www.eddevices.com](http://www.eddevices.com)





NOTE: DRAWING NOT TO SCALE

SPECIFICATIONS:  
 FLOW RATE: 3-30 GPM  
 PRESSURE RATING: 5000 PSI

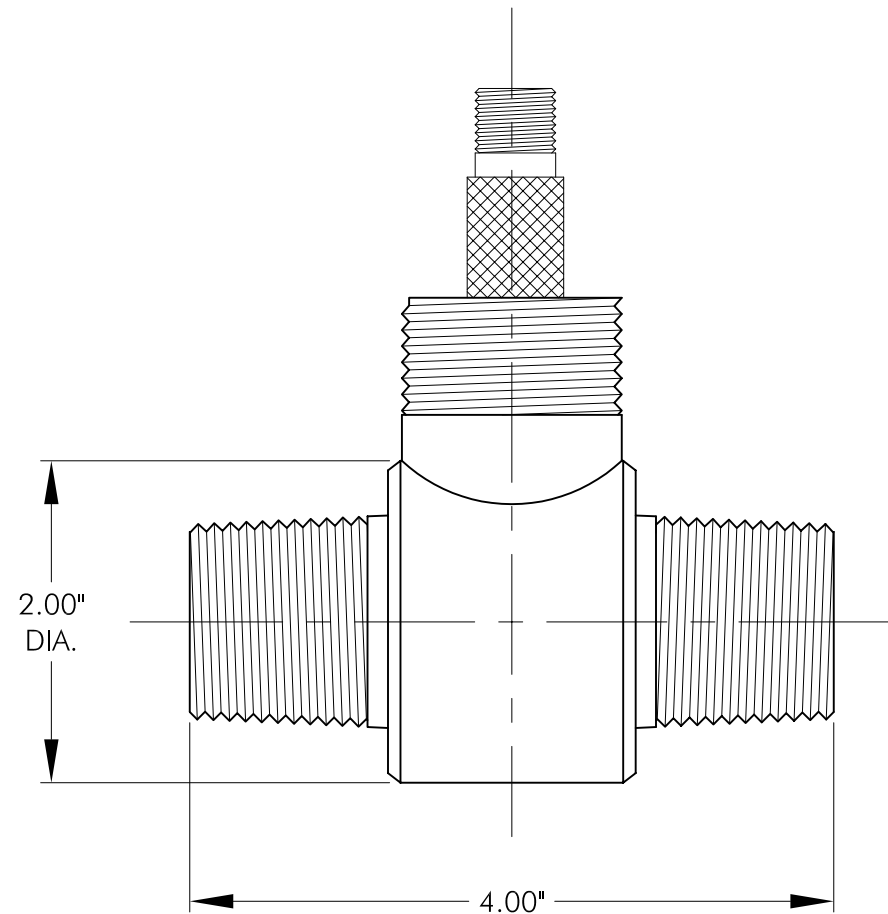
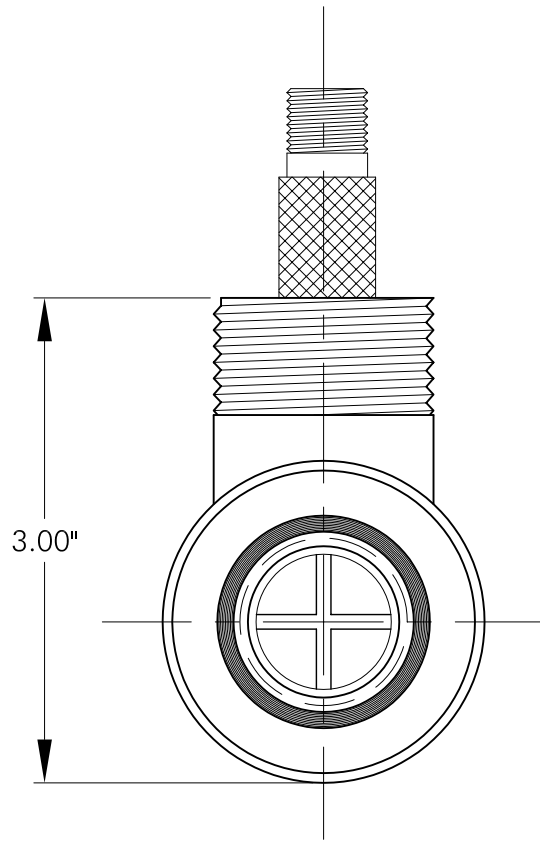
NOTE:  
 7/8" TURBINE REPAIR KIT PART NUMBER: 5.087

FLOW METER INSTALLATION DRAWING

7/8" x 2" THREADED FLOW METER WITH 2" N.P.T. MALE ENDS, PART NO. 5.08752

P.O. Box 12128  
 Odessa, TX 79768  
 Phone: 432-366-8699 Fax: 432-366-1106  
 E-mail: [rkw@eddevices.com](mailto:rkw@eddevices.com) Website: [www.eddevices.com](http://www.eddevices.com)





NOTE: DRAWING NOT TO SCALE

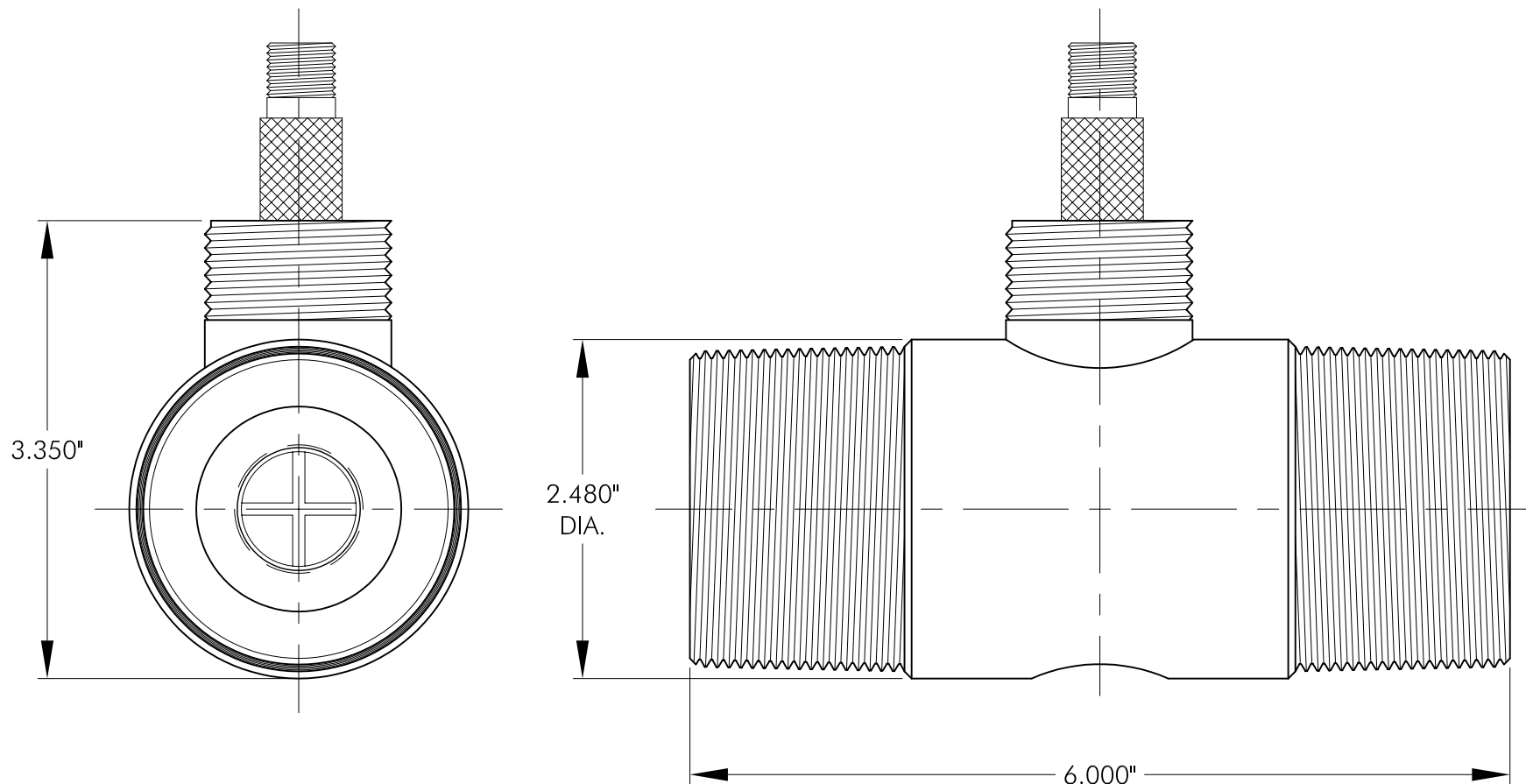
SPECIFICATIONS:  
 FLOW RATE: 5-50 GPM  
 PRESSURE RATING: 5000 PSI

NOTE:  
 1" TURBINE REPAIR KIT PART NUMBER: 5.100

FLOW METER INSTALLATION DRAWING  
 1" TURBINE FLOW METER WITH 1" N.P.T. MALE ENDS, PART NO. 5.1000R

P.O. Box 12128  
 Odessa, TX 79768  
 Phone: 432-366-8699 Fax: 432-366-1106  
 E-mail: [rkw@eddevices.com](mailto:rkw@eddevices.com) Website: [www.eddevices.com](http://www.eddevices.com)





NOTE: DRAWING NOT TO SCALE

**SPECIFICATIONS:**

FLOW RATE: 5-50 GPM

PRESSURE RATING: 5000 PSI

**NOTE:**

1" TURBINE REPAIR KIT PART NUMBER: 5.100

**FLOW METER INSTALLATION DRAWING**

1" x 2" THREADED FLOW METER WITH 2" N.P.T. MALE ENDS, PART NO. 5.1020

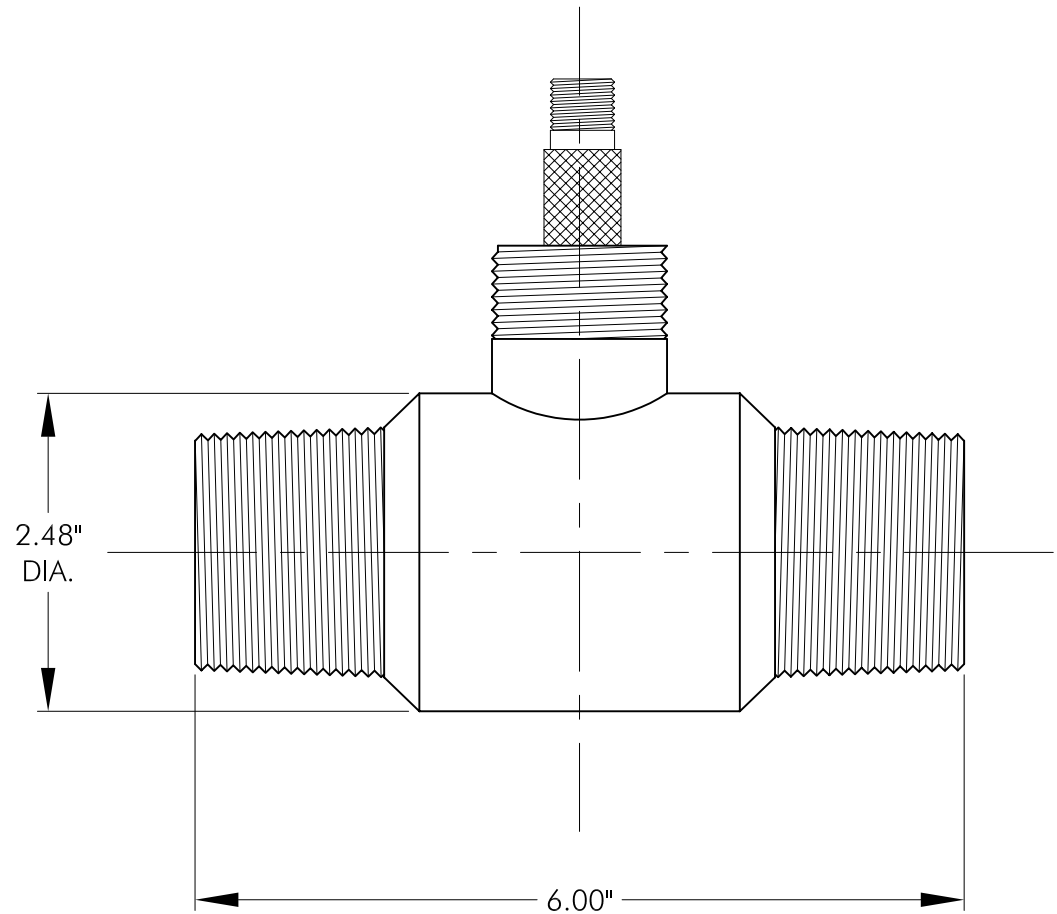
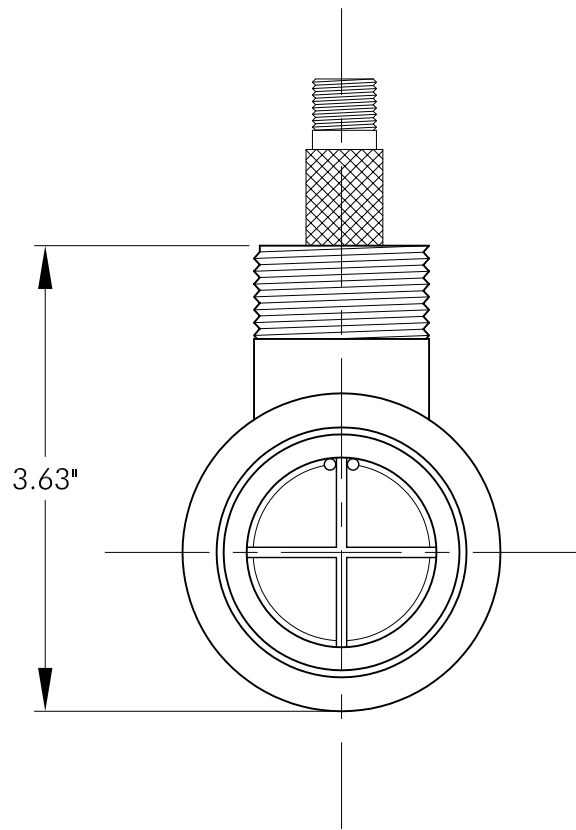
P.O. Box 12128

Odessa, TX 79768

Phone: 432-366-8699 Fax: 432-366-1106

E-mail: [rkw@eddevices.com](mailto:rkw@eddevices.com) Website: [www.eddevices.com](http://www.eddevices.com)





NOTE: DRAWING NOT TO SCALE

**SPECIFICATIONS:**

FLOW RATE: 15-180 GPM

PRESSURE RATING: 5000 PSI

**NOTE:**

1.5" TURBINE REPAIR KIT PART NUMBER: 5.150

**FLOW METER INSTALLATION DRAWING**

1.5" x 1.5" TURBINE FLOW METER WITH 1.5" N.P.T. MALE ENDS, PART NO. 5.1500

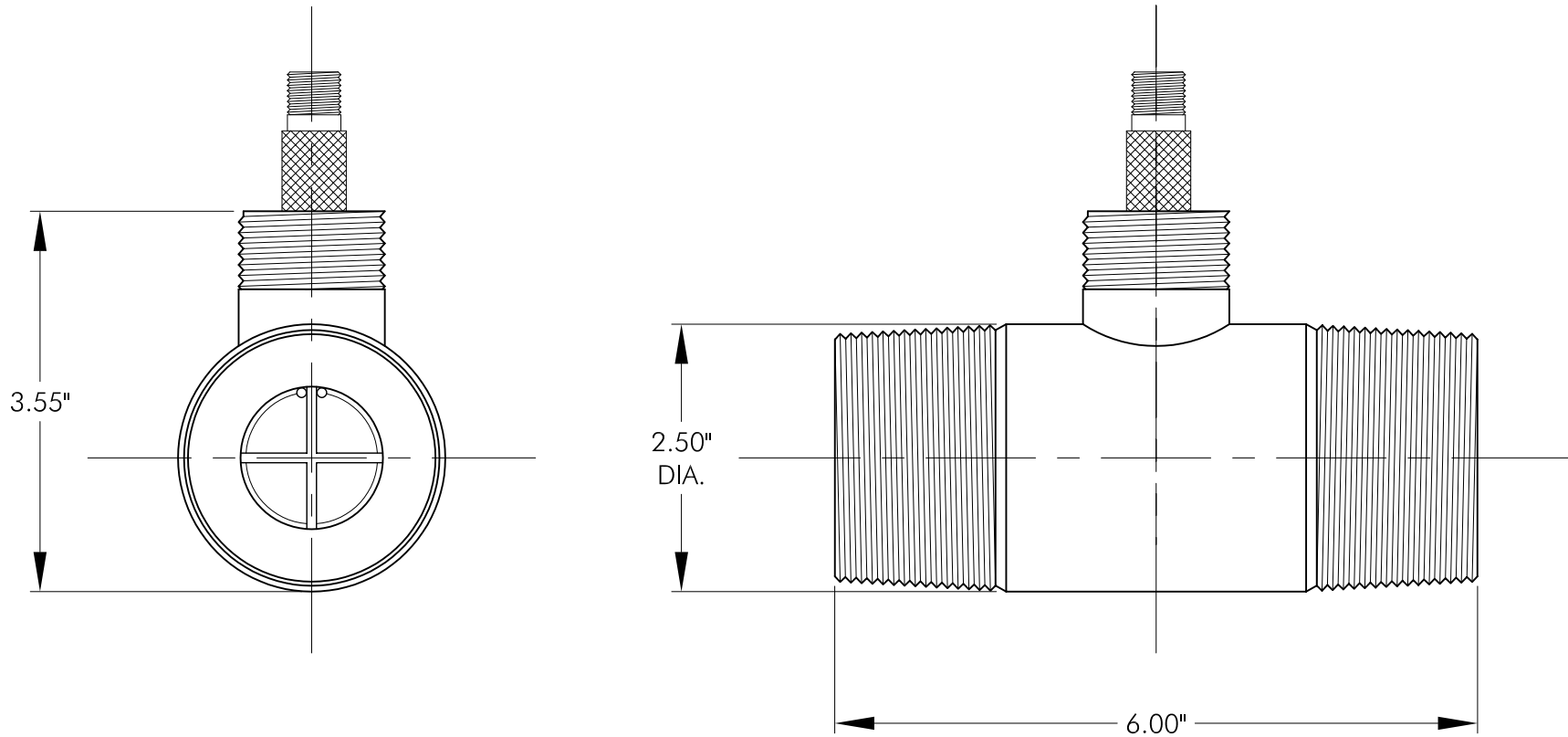
P.O. Box 12128

Odessa, TX 79768

Phone: 432-366-8699 Fax: 432-366-1106

E-mail: [rkw@eddevices.com](mailto:rkw@eddevices.com) Website: [www.eddevices.com](http://www.eddevices.com)





NOTE: DRAWING NOT TO SCALE

**SPECIFICATIONS:**  
 FLOW RATE: 15-180 GPM  
 PRESSURE RATING: 5000 PSI

**NOTE:**  
 1.5" TURBINE REPAIR KIT PART NUMBER: 5.150

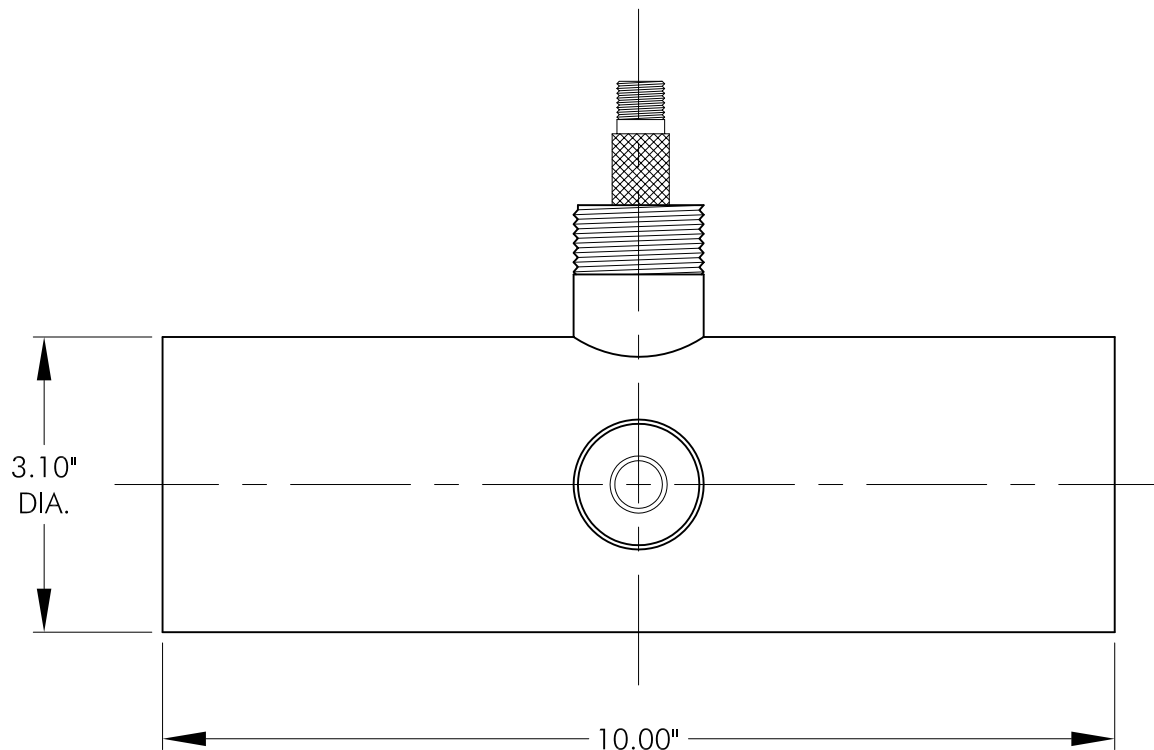
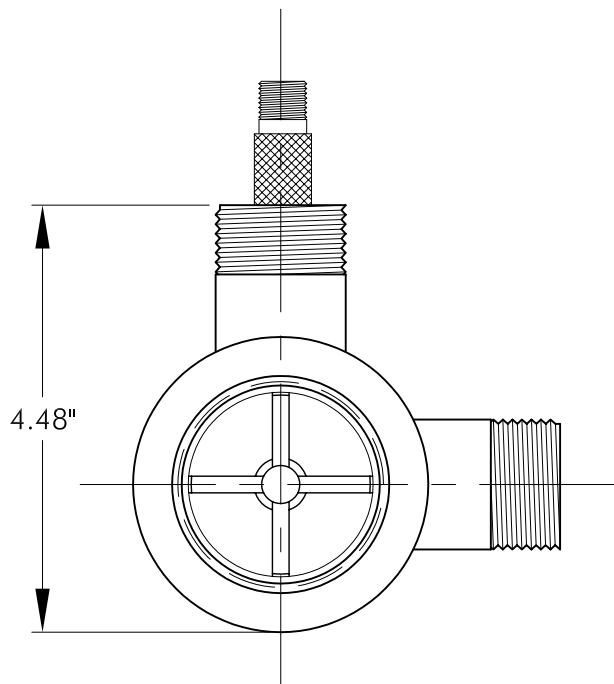
**FLOW METER INSTALLATION DRAWING**

1.5" x 2" TURBINE FLOW METER WITH 2" N.P.T. MALE ENDS, PART NO. 5.1520

P.O. Box 12128  
 Odessa, TX 79768  
 Phone: 432-366-8699 Fax: 432-366-1106  
 E-mail: [rkw@eddevices.com](mailto:rkw@eddevices.com) Website: [www.eddevices.com](http://www.eddevices.com)







NOTE: DRAWING NOT TO SCALE

**SPECIFICATIONS:**

FLOW RATE: 40-400 GPM

PRESSURE RATING: 5000 PSI

**NOTE:**

2" TURBINE REPAIR KIT PART NUMBER: 5.250

**FLOW METER INSTALLATION DRAWING**

2" x 2" TURBINE FLOW METER WITH 2" FEMALE N.P.T. ENDS, PART NO. 5.2000

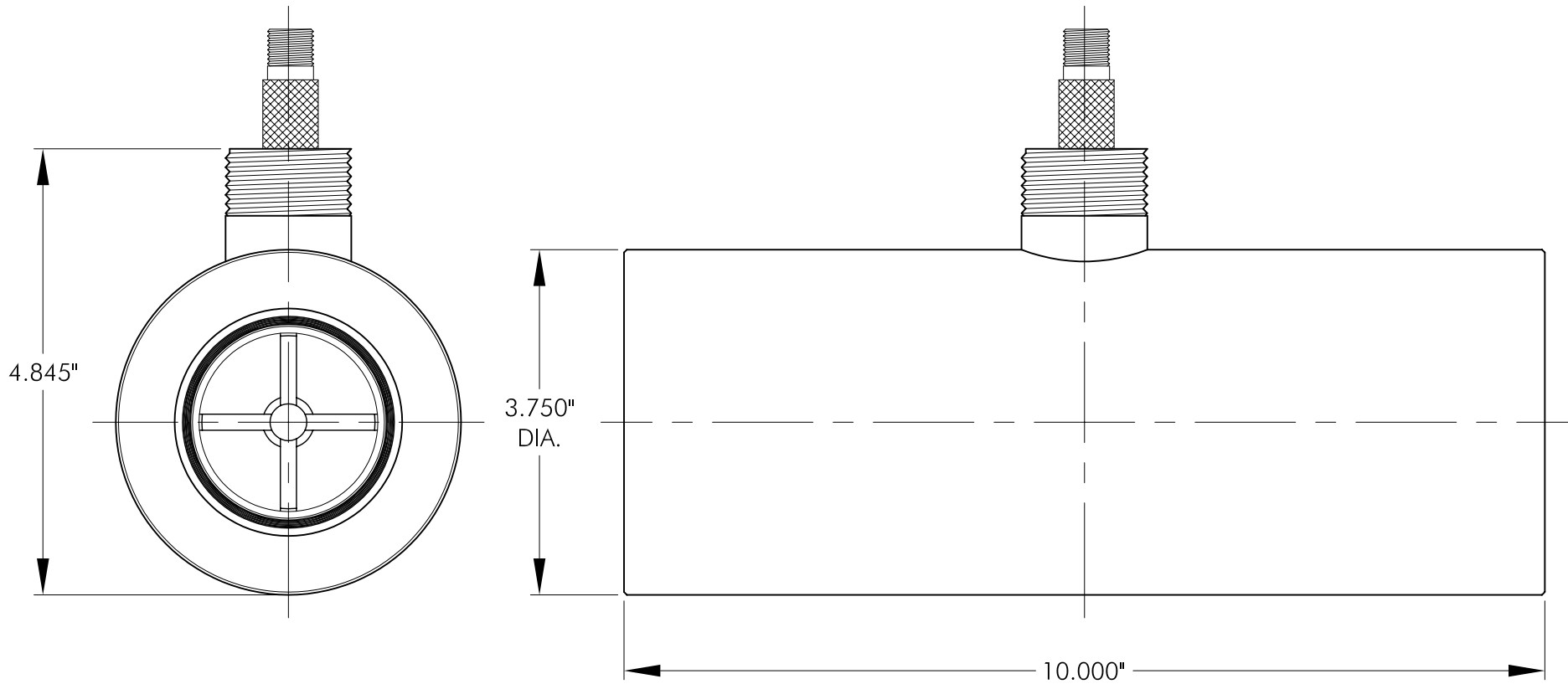
P.O. Box 12128

Odessa, TX 79768

Phone: 432-366-8699 Fax: 432-366-1106

E-mail: [rkw@eddevices.com](mailto:rkw@eddevices.com) Website: [www.eddevices.com](http://www.eddevices.com)





NOTE: DRAWING NOT TO SCALE

**SPECIFICATIONS:**  
 FLOW RATE: 40-400 GPM  
 PRESSURE RATING: 10000 PSI

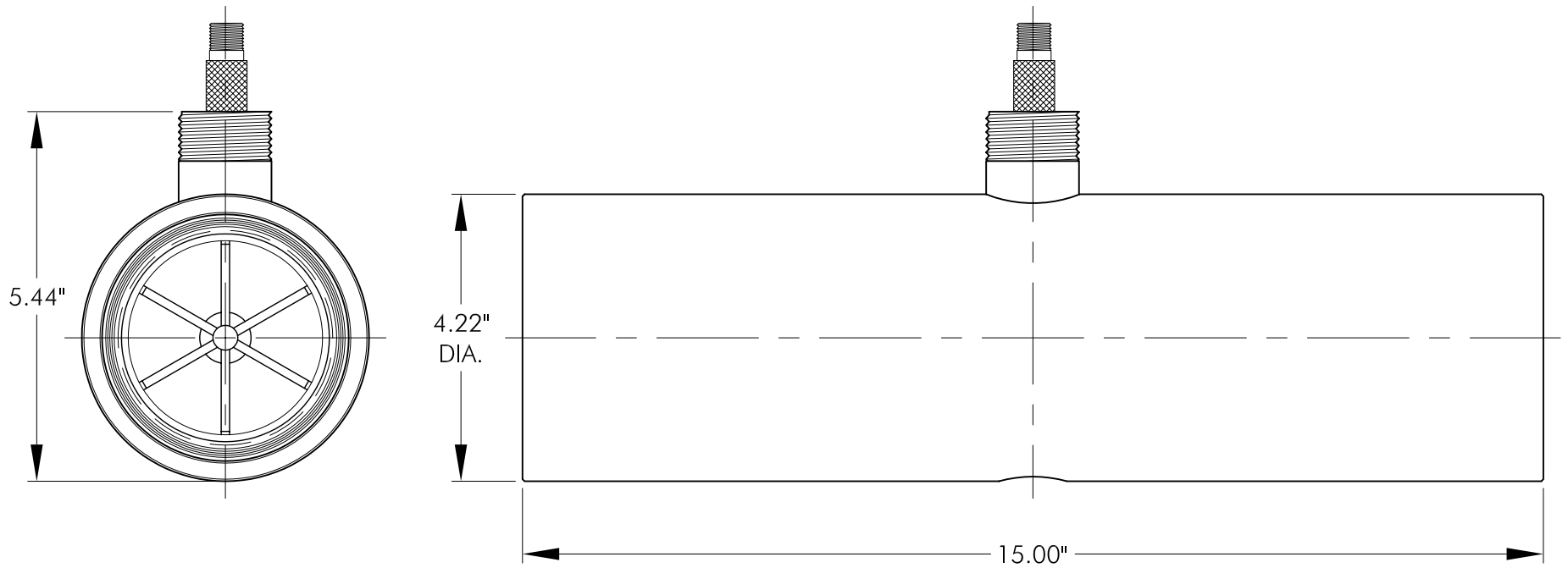
**NOTE:**  
 2" TURBINE REPAIR KIT PART NUMBER: 5.250

**FLOW METER INSTALLATION DRAWING**

2" TURBINE FLOW METER, A-286-ALLOY AMS-5737, PART NO. 5.2000-10K

P.O. Box 12128  
 Odessa, TX 79768  
 Phone: 432-366-8699 Fax: 432-366-1106  
 E-mail: [rkw@eddevices.com](mailto:rkw@eddevices.com) Website: [www.eddevices.com](http://www.eddevices.com)





NOTE: DRAWING NOT TO SCALE

**SPECIFICATIONS:**

FLOW RATE: 60-600 GPM

PRESSURE RATING: 5000 PSI

**NOTE:**

3" TURBINE REPAIR KIT PART NUMBER: 5.350

**FLOW METER INSTALLATION DRAWING**

3" x 3" TURBINE FLOW METER WITH 3" FEMALE N.P.T. ENDS, PART NO. 5.3100

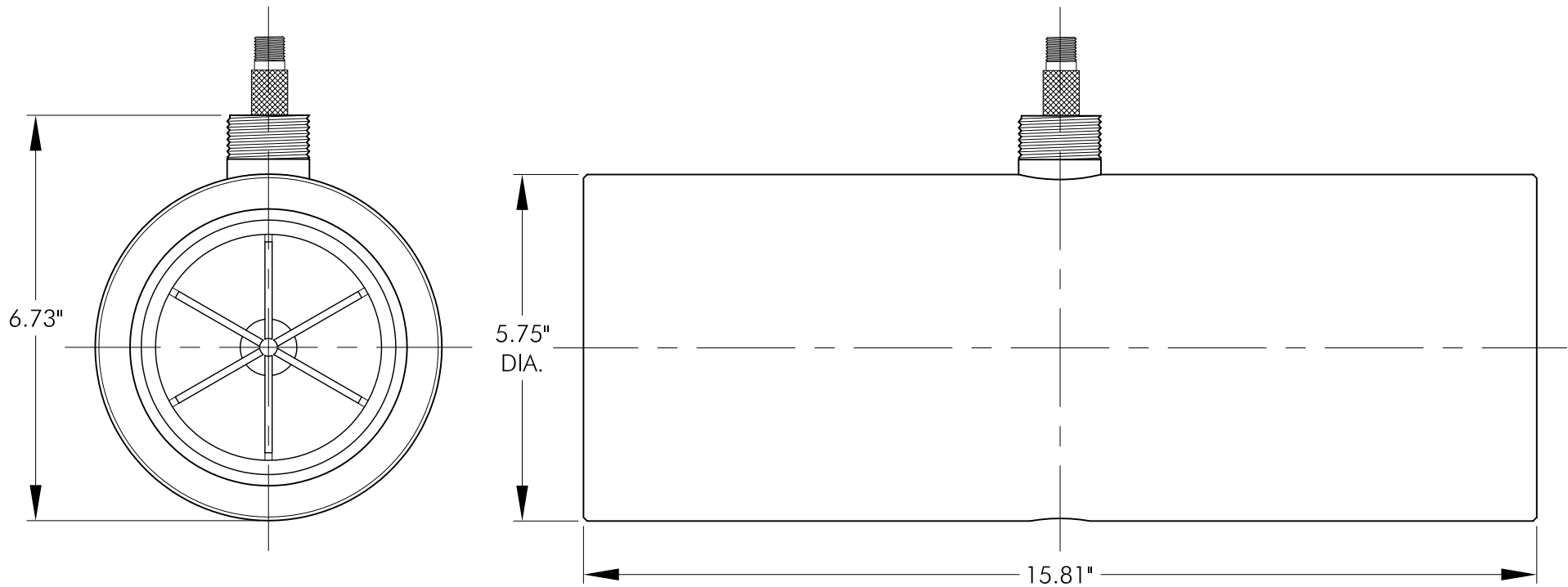
P.O. Box 12128

Odessa, TX 79768

Phone: 432-366-8699 Fax: 432-366-1106

E-mail: [rkw@eddevices.com](mailto:rkw@eddevices.com) Website: [www.eddevices.com](http://www.eddevices.com)





NOTE: DRAWING NOT TO SCALE

**SPECIFICATIONS:**

FLOW RATE: 100-1200 GPM

PRESSURE RATING: 3000 PSI

**NOTE:**

4" TURBINE REPAIR KIT PART NUMBER: 5.450

**FLOW METER INSTALLATION DRAWING**

4" x 4" TURBINE FLOW METER WITH 4" FEMALE N.P.T. ENDS, PART NO. 5.4000

P.O. Box 12128

Odessa, TX 79768

Phone: 432-366-8699 Fax: 432-366-1106

E-mail: [rkw@eddevices.com](mailto:rkw@eddevices.com) Website: [www.eddevices.com](http://www.eddevices.com)





# Electronic Data Devices

## Turbine Flow Meters



## Threaded Turbine Flow Meters

Electronic Data Devices offers a complete line of turbine flow meters that are available with ranges from 0.3 GPM to 5500 GPM covering a wide range of measurement applications. Our turbine flow meters are manufactured to the highest quality standards, and are available with a wide range of end connections compatible with many applications. Some of the typical applications include: oilfield waterflood, production, well servicing, pipelines, mining, chemicals, food and beverage industry, and most other liquid applications.

Threaded meters are available in the sizes below.

All threaded meters have a working pressure of 5000psi except 3" and 4", which are 3000 psi.

.37" X 1"-MNPT	.75" X 2" MNPT	1" X 1"-MNPT	1.5" X 2" MNPT	3" X 3" FMNPT
.50" X 1" MNPT	.87" X 1" MNPT	1" X 2" MNPT	2" X 2" FMNPT	4" X 4" FMNPT
.75" X 1" MNPT	.87" X 2" MNPT	1.5" X 1.5" MNPT		

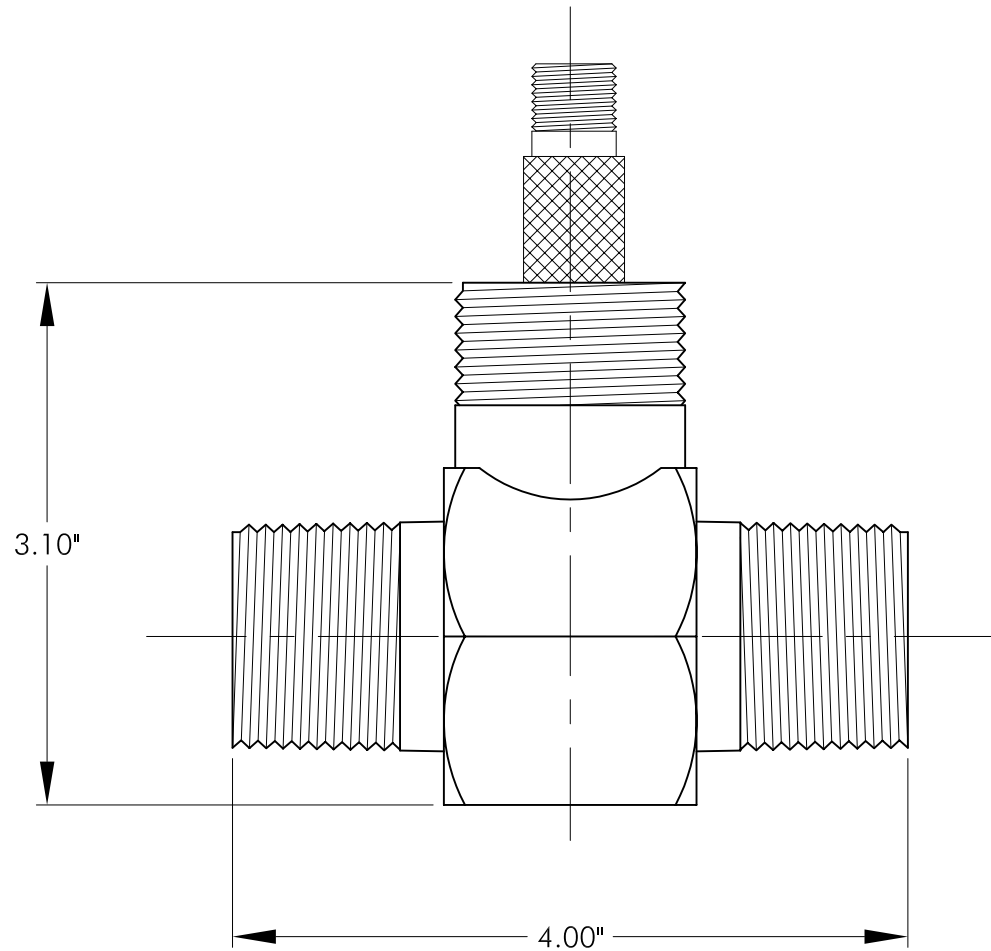
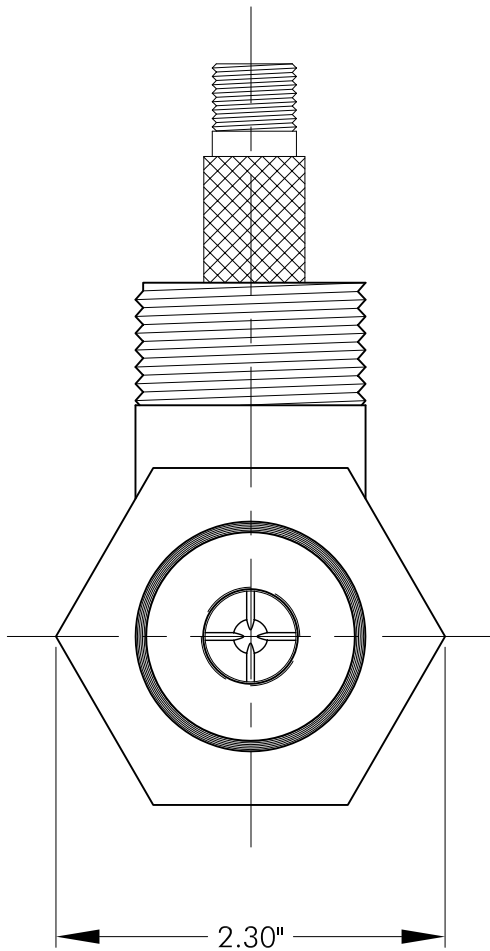
P.O. Box 12128  
Odessa, Texas 79768  
USA

• Phone  
432-366-8699

• Fax  
432-366-1106

• Email  
rkw@eddevices.com

• Website  
www.eddevices.com



NOTE: DRAWING NOT TO SCALE

**SPECIFICATIONS:**

FLOW RATE: 0.3-3 GPM

PRESSURE RATING: 5000 PSI

**NOTE:**

3/8" TURBINE REPAIR KIT PART NUMBER: 5.037

**FLOW METER INSTALLATION DRAWING**

3/8" x 1" TURBINE FLOW METER WITH 1" N.P.T. MALE ENDS, PART NO. 5.0370H

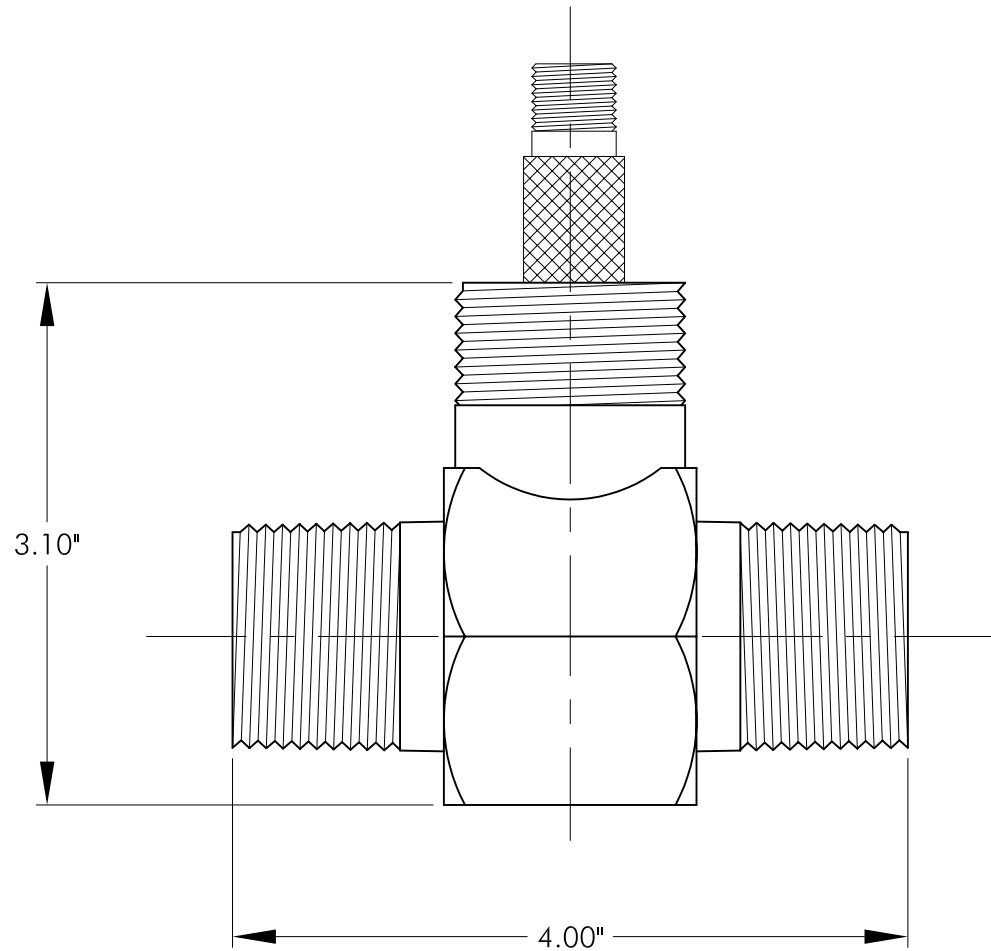
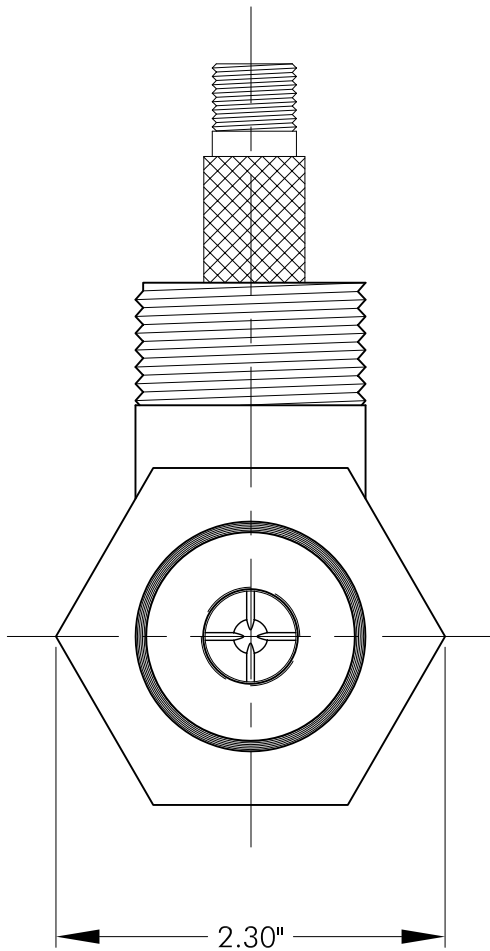
P.O. Box 12128

Odessa, TX 79768

Phone: 432-366-8699 Fax: 432-366-1106

E-mail: [rkw@eddevices.com](mailto:rkw@eddevices.com) Website: [www.eddevices.com](http://www.eddevices.com)





NOTE: DRAWING NOT TO SCALE

**SPECIFICATIONS:**

FLOW RATE: 0.75-7.5 GPM

PRESSURE RATING: 5000 PSI

**NOTE:**

1/2" TURBINE REPAIR KIT PART NUMBER: 5.050

**FLOW METER INSTALLATION DRAWING**

1/2" x 1" TURBINE FLOW METER WITH 1" N.P.T. MALE ENDS, PART NO. 5.0500H

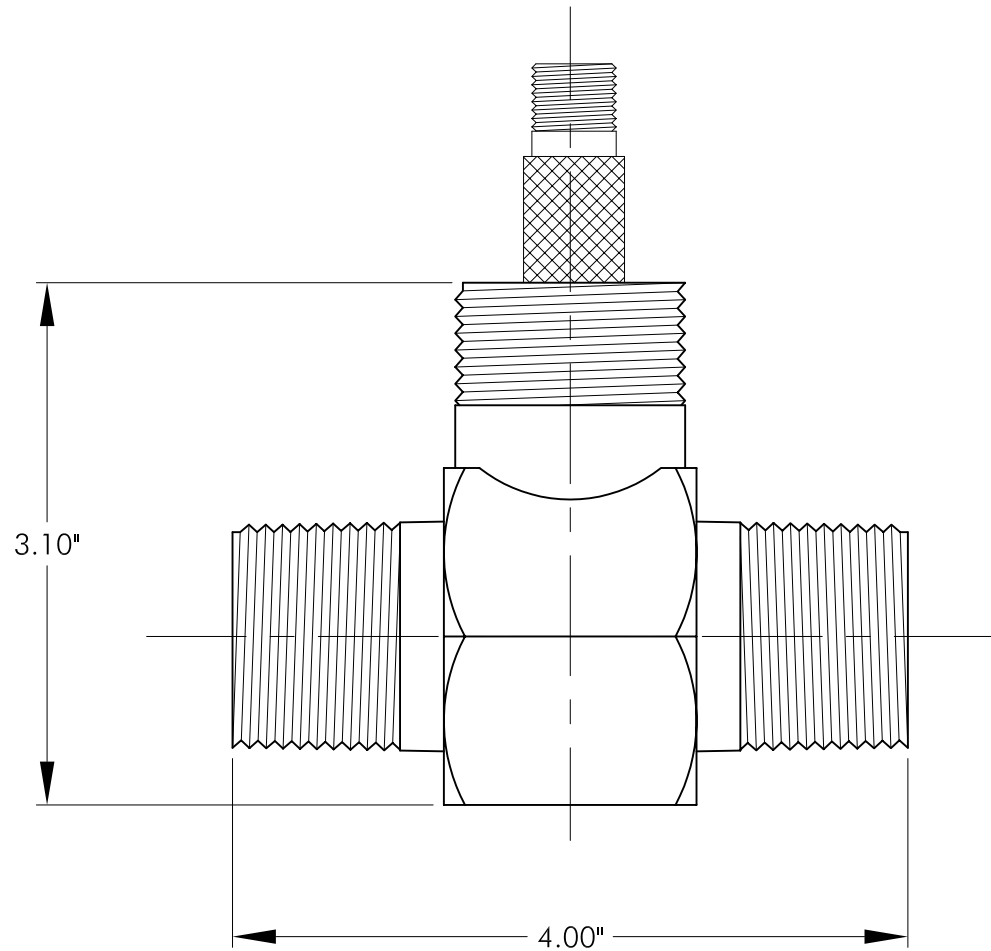
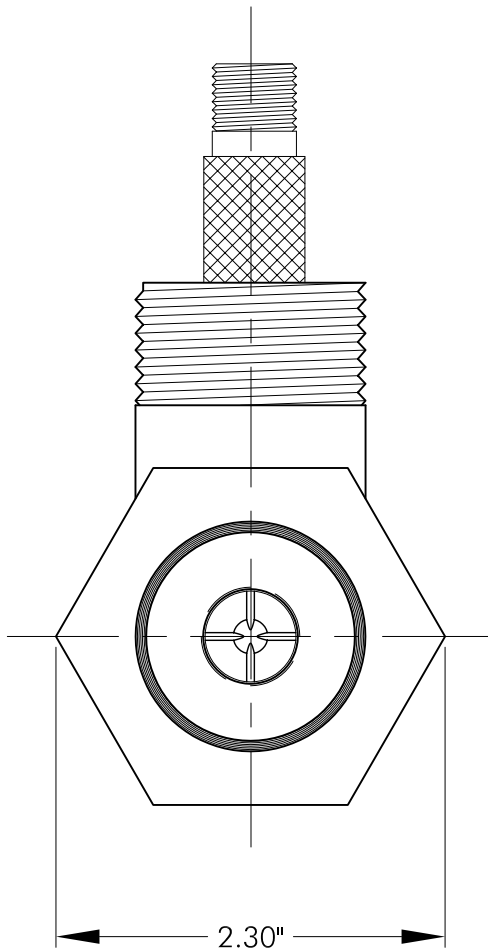
P.O. Box 12128

Odessa, TX 79768

Phone: 432-366-8699 Fax: 432-366-1106

E-mail: [rkw@eddevices.com](mailto:rkw@eddevices.com) Website: [www.eddevices.com](http://www.eddevices.com)





NOTE: DRAWING NOT TO SCALE

**SPECIFICATIONS:**

FLOW RATE: 2-15 GPM

PRESSURE RATING: 5000 PSI

**NOTE:**

3/4" TURBINE REPAIR KIT PART NUMBER: 5.075

**FLOW METER INSTALLATION DRAWING**

3/4" x 1" TURBINE FLOW METER WITH 1" N.P.T. MALE ENDS, PART NO. 5.0750H

P.O. Box 12128

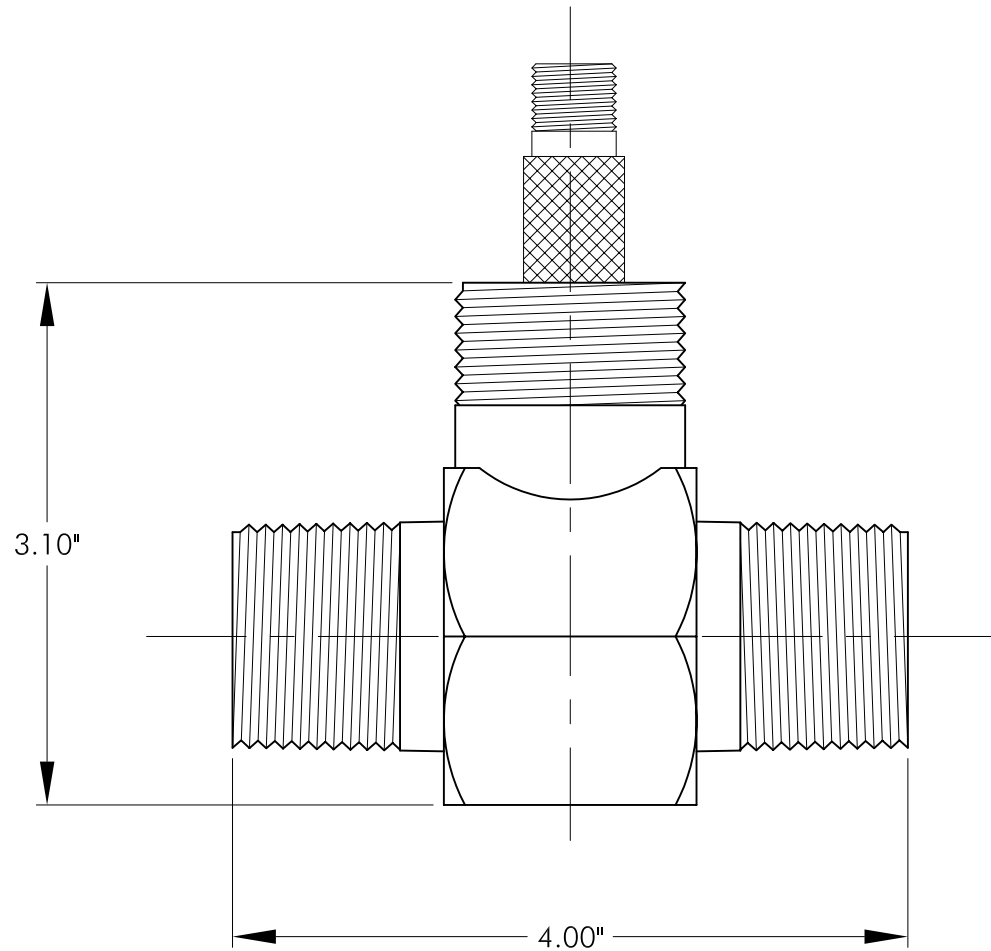
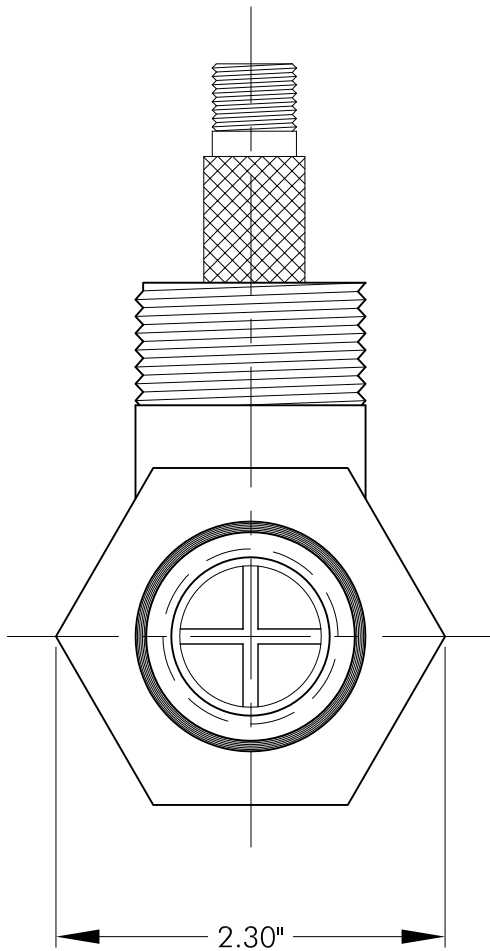
Odessa, TX 79768

Phone: 432-366-8699 Fax: 432-366-1106

E-mail: [rkw@eddevices.com](mailto:rkw@eddevices.com) Website: [www.eddevices.com](http://www.eddevices.com)







NOTE: DRAWING NOT TO SCALE

**SPECIFICATIONS:**

FLOW RATE: 3-30 GPM

PRESSURE RATING: 5000 PSI

**NOTE:**

7/8" TURBINE REPAIR KIT PART NUMBER: 5.087

**FLOW METER INSTALLATION DRAWING**

7/8" x 1" TURBINE FLOW METER WITH 1" N.P.T. MALE ENDS, PART NO. 5.0875H

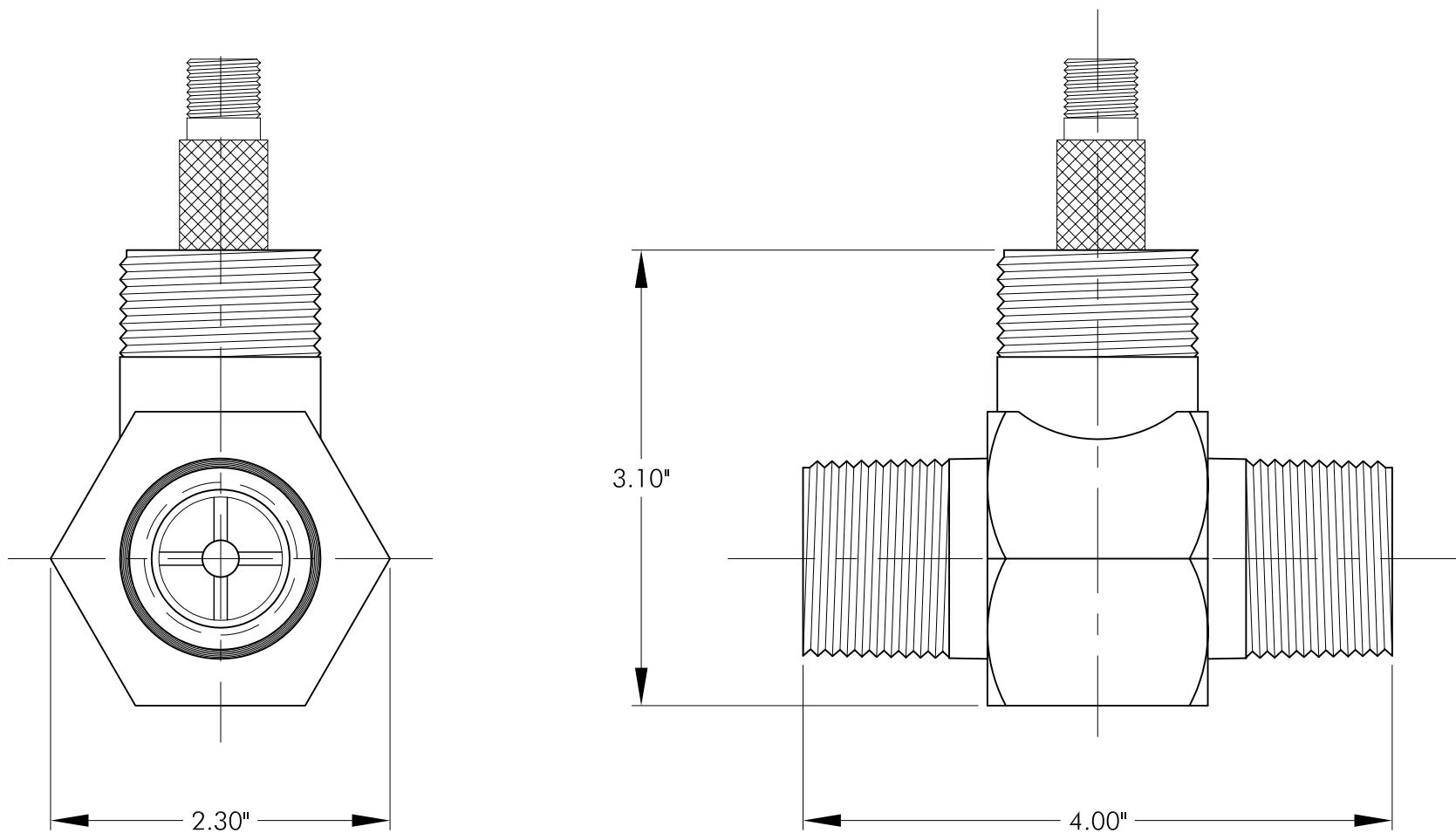
P.O. Box 12128

Odessa, TX 79768

Phone: 432-366-8699 Fax: 432-366-1106

E-mail: [rkw@eddevices.com](mailto:rkw@eddevices.com) Website: [www.eddevices.com](http://www.eddevices.com)





NOTE: DRAWING NOT TO SCALE

SPECIFICATIONS:  
 FLOW RATE: 5-50 GPM  
 PRESSURE RATING: 5000 PSI

NOTE:  
 1" TURBINE REPAIR KIT PART NUMBER: 5.100

FLOW METER INSTALLATION DRAWING

1" x 1" TURBINE FLOW METER WITH 1" N.P.T. MALE ENDS, PART NO. 5.1001H

P.O. Box 12128  
 Odessa, TX 79768  
 Phone: 432-366-8699 Fax: 432-366-1106  
 E-mail: [rkw@eddevices.com](mailto:rkw@eddevices.com) Website: [www.eddevices.com](http://www.eddevices.com)





# Electronic Data Devices

## Turbine Flow Meters



## Threaded Turbine Flow Meters

Electronic Data Devices offers a line of threaded turbine flow meters with cast bodies that are available with ranges from 0.3 GPM to 50 GPM covering a wide range of measurement applications. Our turbine flow meters are manufactured to the highest quality standards. Some of the typical applications include: oilfield waterflood, production, well servicing, pipelines, mining, chemicals, food and beverage industry, and most other liquid applications.

Threaded meters with a cast meter body are available in 1" x 1" MNPT. All threaded meters have a working pressure of 5000 psi.

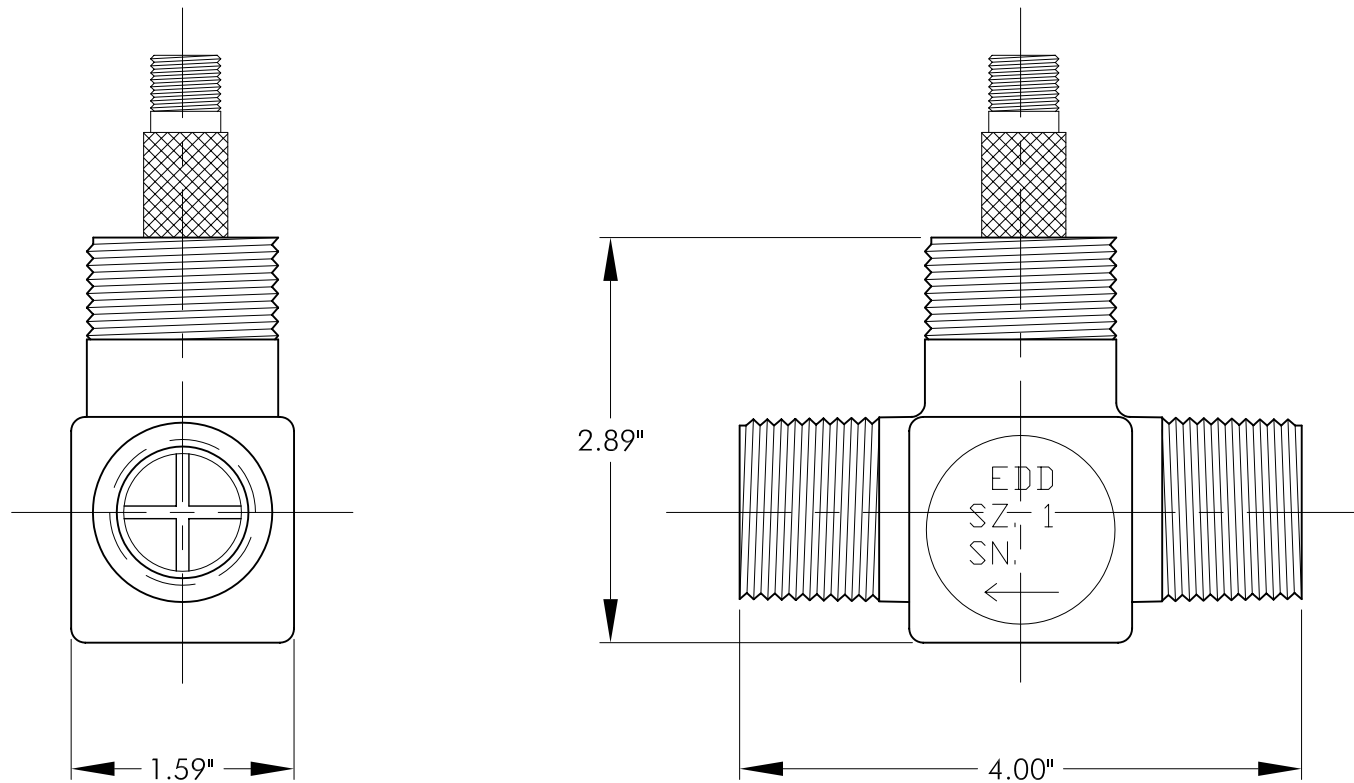
P.O. Box 12128  
Odessa, Texas 79768  
USA

Phone  
432-366-8699

Fax  
432-366-1106

Email  
rkw@eddevices.com

Website  
www.eddevices.com



NOTE: DRAWING NOT TO SCALE

**SPECIFICATIONS:**

FLOW RATE: 5-50 GPM

PRESSURE RATING: 5000 PSI

**NOTE:**

1" TURBINE REPAIR KIT PART NUMBER: 5.100

**FLOW METER INSTALLATION DRAWING**

1" TURBINE FLOW METER WITH 1" N.P.T. MALE ENDS, PART NO. 5.1000C

P.O. Box 12128

Odessa, TX 79768

Phone: 432-366-8699 Fax: 432-366-1106

E-mail: [rkw@eddevices.com](mailto:rkw@eddevices.com) Website: [www.eddevices.com](http://www.eddevices.com)

